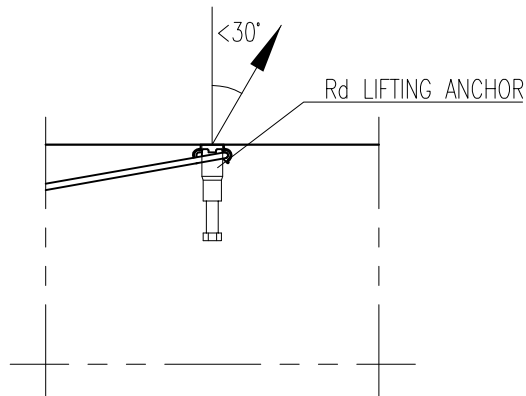
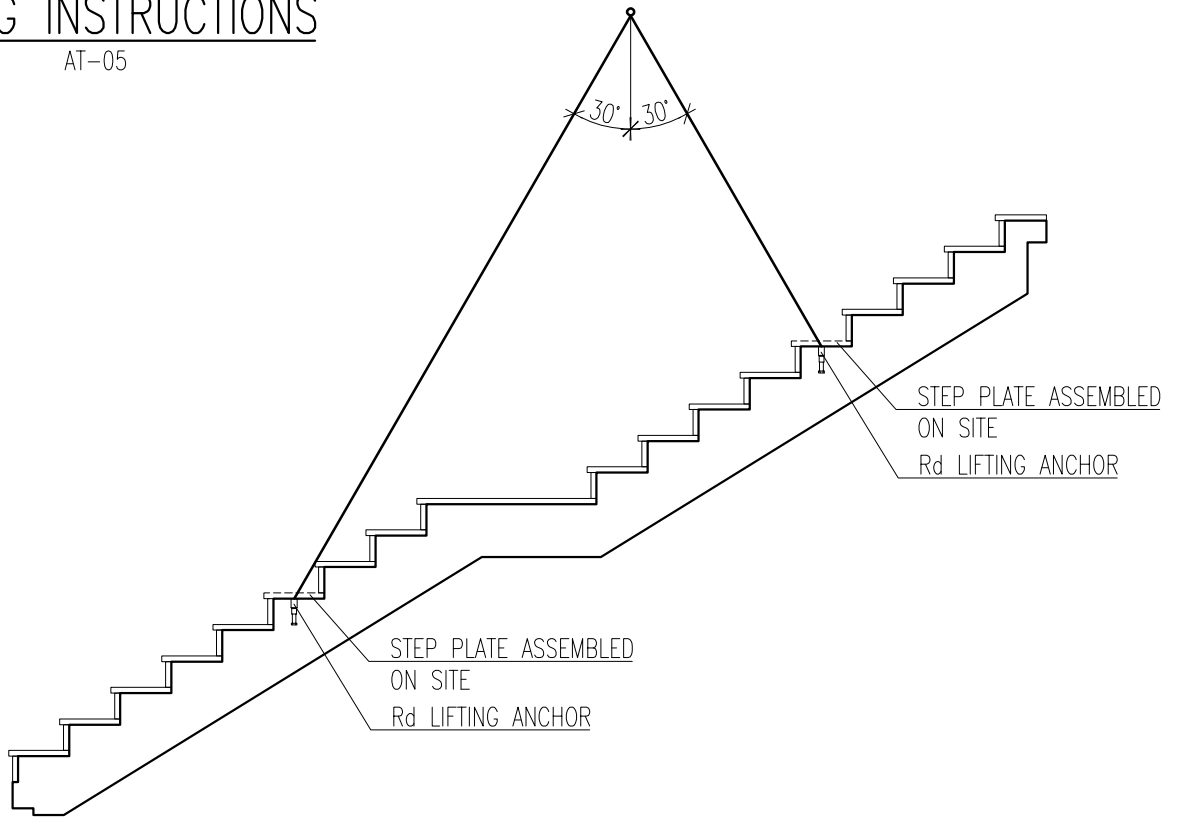


LIFTING INSTRUCTIONS

AT-05



STORING ELEMENTS

