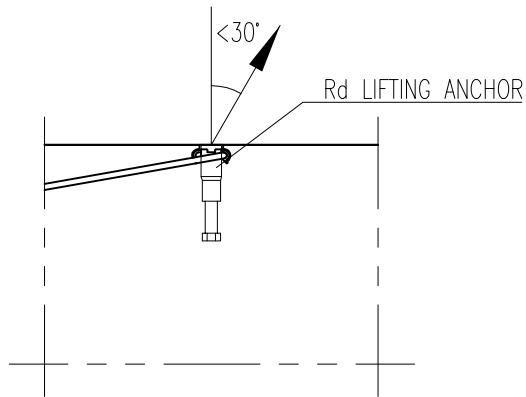
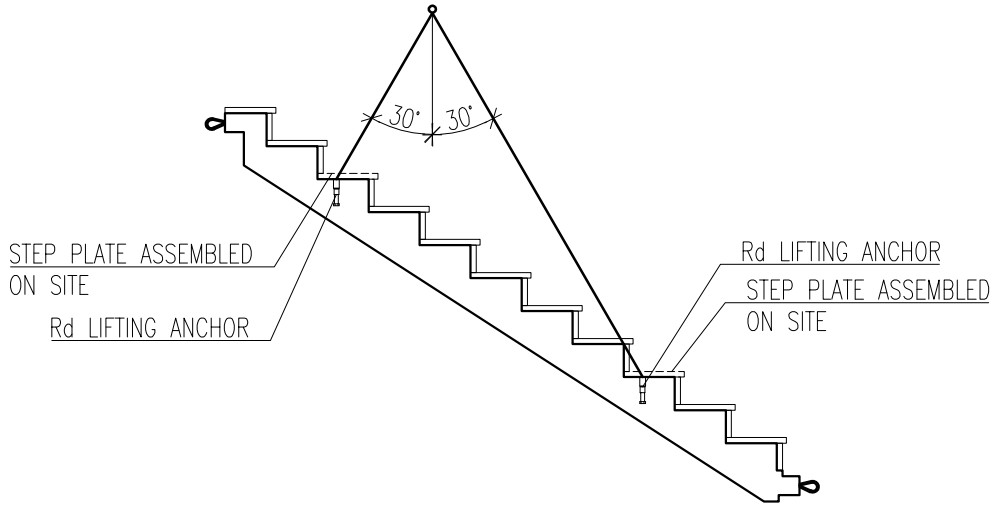


# LIFTING INSTRUCTIONS

AT-01



## STORING ELEMENTS

