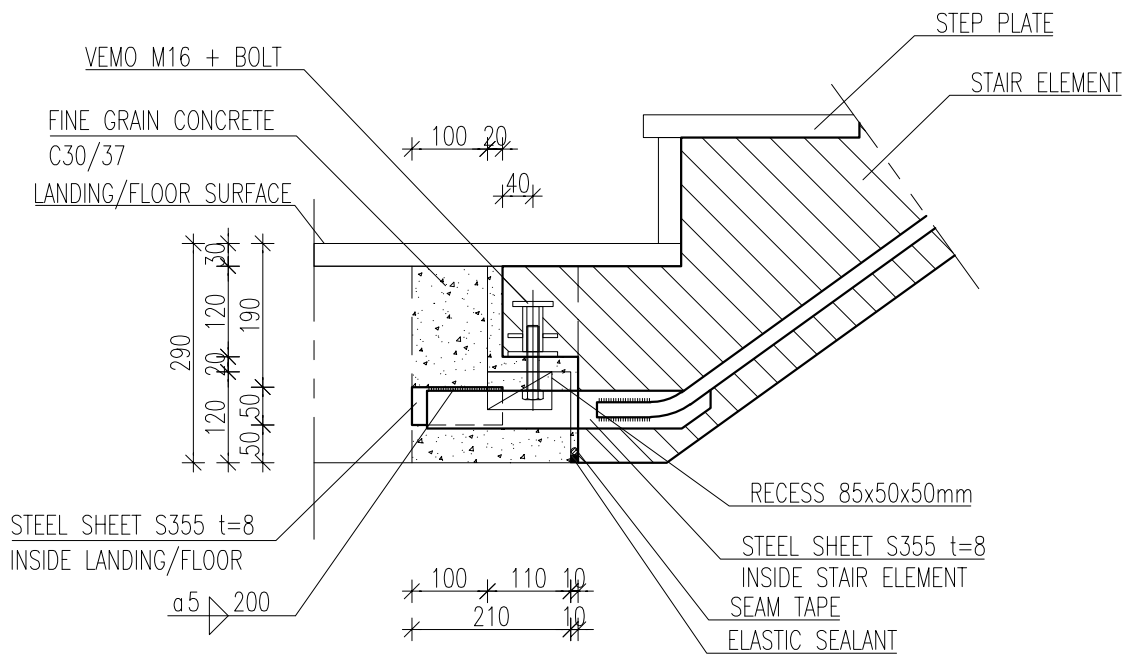


DET-26

M1:10



NOTES:

1. STAIR IS CALCULATED FOR SUPPORT OF THE CONCRETE FLOOR. UNTIL CONCRETE FLOOR IS NOT CAST, THE STAIR MUST BE LOCALLY SUPPORTED.