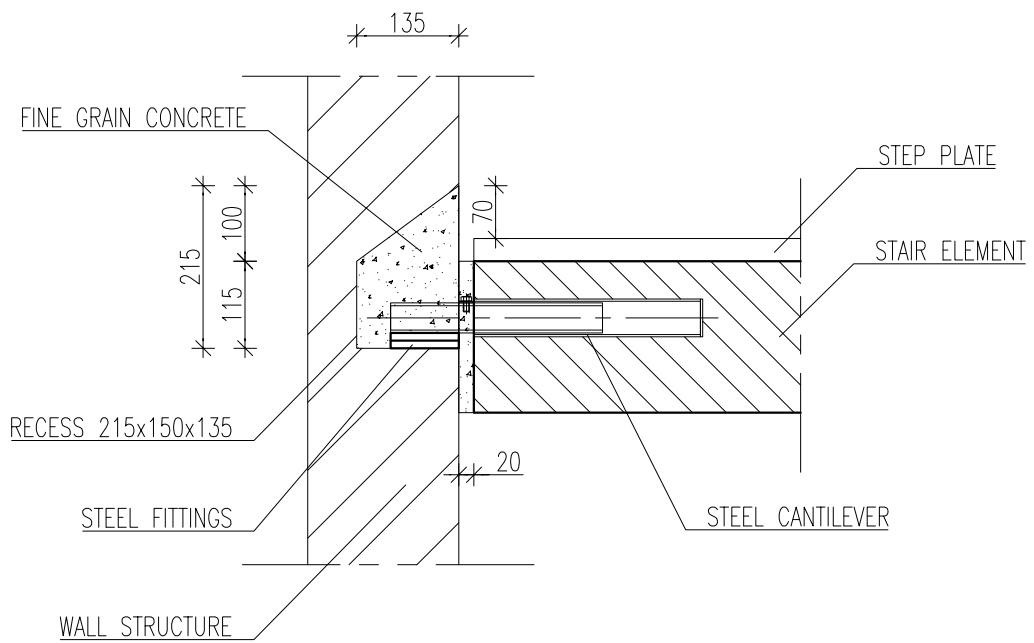


DET-20

M1:10



NOTES:

1. STEEL CANTILEVER IS ALSO AVAILABLE WITH NEOPRENE COVER.