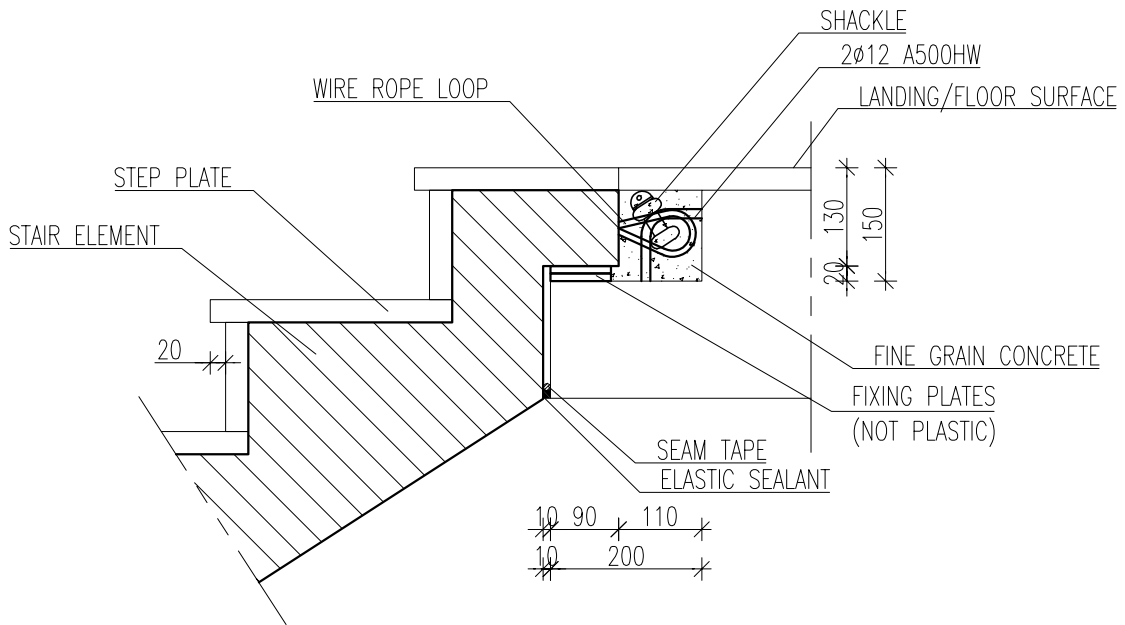


# DET-02

M1:10



## NOTES:

1. SHACKLE - DIN82101, d=20mm, 1.6t.