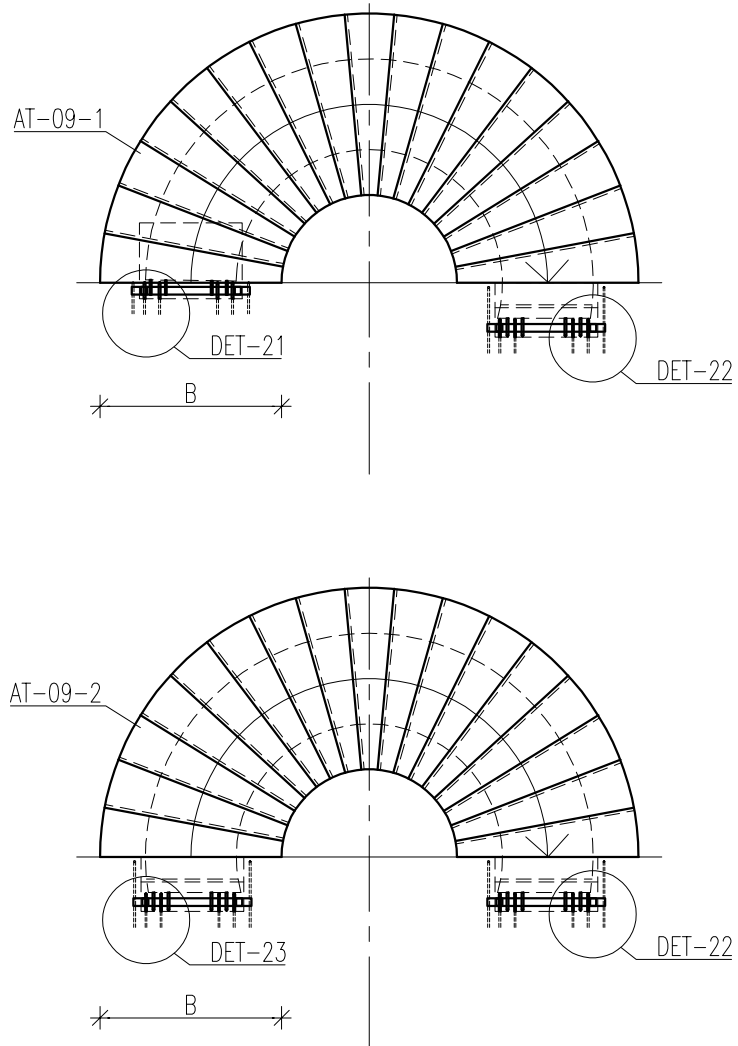


# AT-09



## ELEMENT DIMENSIONS (mm)

B	1200
H	2800, 3000
STEPS	18

## NOTES:

1. LIVE LOAD FOR STAIR ELEMENT:  $q_k = 4.0 \text{ kN/m}^2$ .
2. TOP SURFACE - TERRAZZO.
3. BOTTOM SURFACE - SMOOTHED/ROLLERED, READY FOR PAINTING.
4. ELEMENTS ARE AVAILABLE TURNING TO LEFT OR RIGHT HAND SIDE.