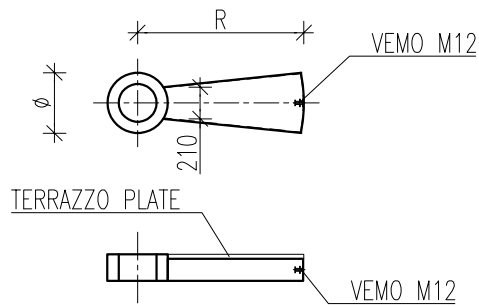
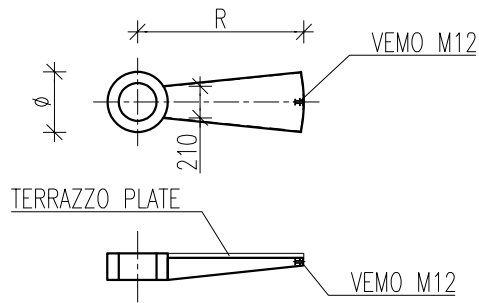


AT-06

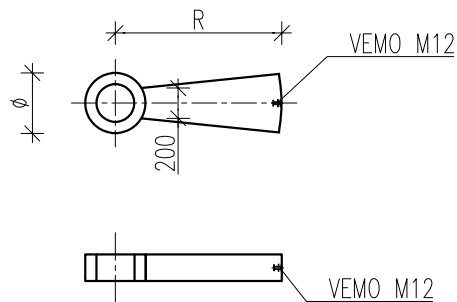
AT-06-1



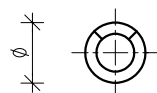
AT-06-2



AT-06-3



AT-06-4



ELEMENT DIMENSIONS (mm)

| ̑ | R |
|-----|-------------|
| 400 | 900...1700 |
| 500 | 1710...2000 |

NOTES:

1. LIVE LOAD FOR STAIR ELEMENT: $q_k = 4.0 \text{ kN/m}^2$.
2. TOP SURFACE - TERRAZZO.
3. BOTTOM AND RING SURFACE - SMOOTHED, READY FOR PAINTING.