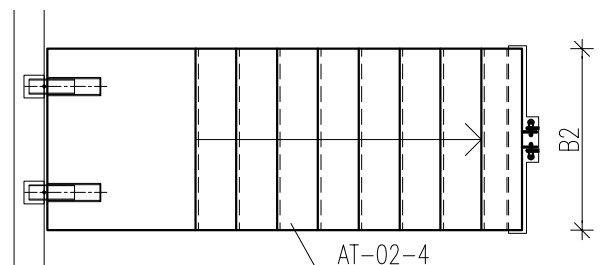
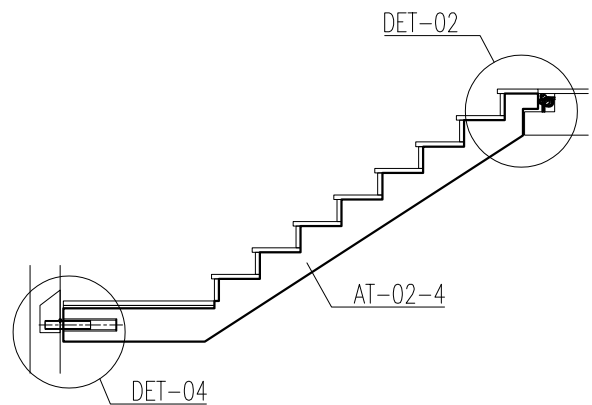
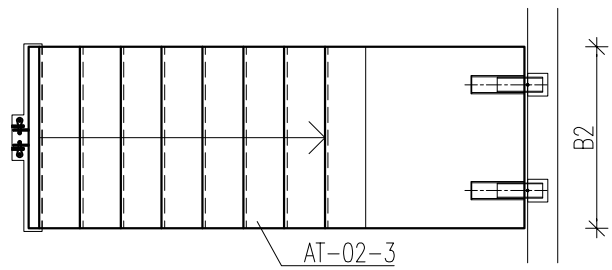
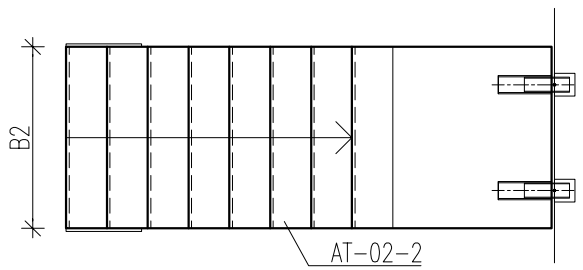
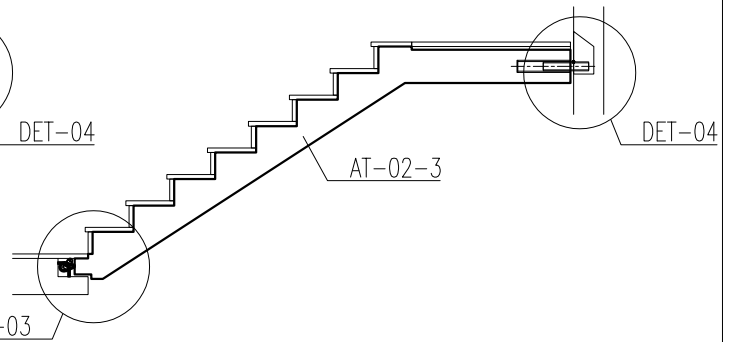
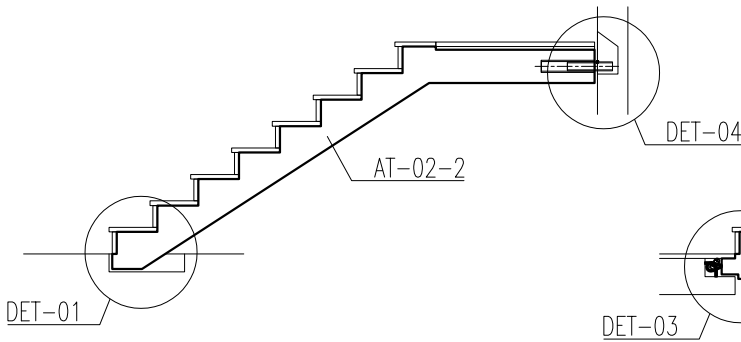
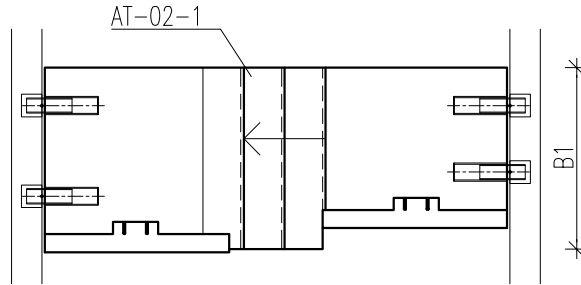
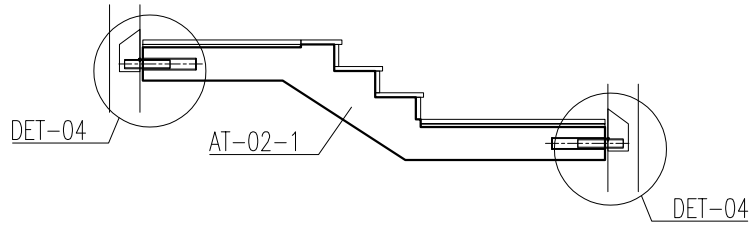


# AT-02



## ELEMENT DIMENSIONS (mm)

B1	900...1400
B2	900...1200

## NOTES:

1. LIVE LOAD FOR STAIR ELEMENT:  $q_k = 4.0 \text{ kN/m}^2$ .
2. TOP SURFACE - TERRAZZO.
3. BOTTOM SURFACE - SMOOTHED/ROLLERED, READY FOR PAINTING.
4. ELEMENT AT-02-1 IS AVAILABLE FOR LEFT OR RIGHT HAND SIDE.